

ARION

High quality and resistance system for XXL sizes. An elegant shade ideal for large glass surfaces, either indoors or outdoors. Its components made with stainless steel and aluminum ensure the maximum durability of the system.



AVAILABLE COMPONENT COLORS



OPERATING SYSTEMS



MAXIMUM WIDTH

6000 x 3000 mm

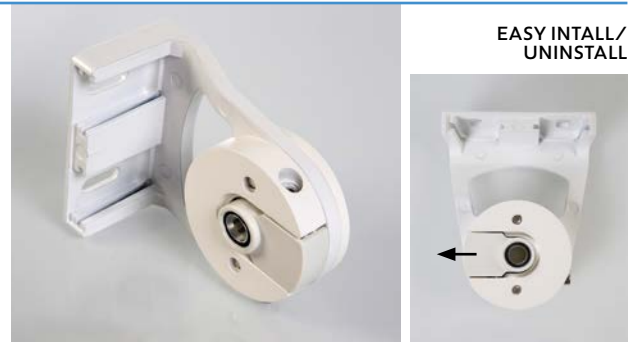
MAXIMUM HEIGHT

5200 x **7000** mm (indoor installation)
4750 x **3500** mm (outdoor installation)

🔍 Check 'Fabric Limits' in ProArea.

New prop side system

Bandalux has developed the clutches making them stronger to deliver benchmark endurance and reliability.



Double drop (transmission)

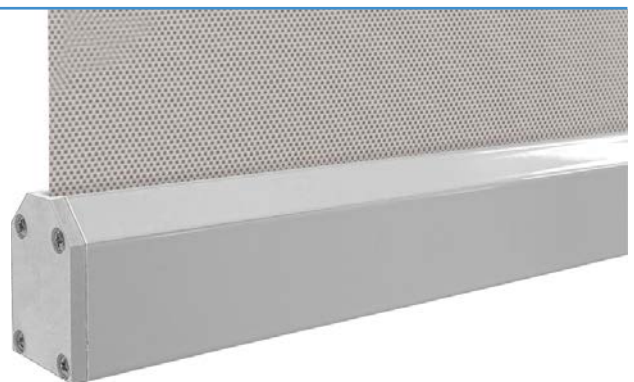
Bandalux's new transmission delivers enhanced smoothness enabling two rolling tubes to operate with just one operating system.

It also allows aligning both drops. It contains a solid system with high quality bearings that provides a perfect, smooth and silent (motion) rotation.



Maximum firmness fabric

The new Max bottom hembar guarantees the firmness and tension of the fabric on free drop Arion systems.



Side guide systems

Stainless steel rod guide (ø10 mm).



Stainless steel cable guide (ø5 mm).



Smooth and silent motorization

All Bandalux motorization products include a brand new, hybrid technology driving wheel specifically designed by us to minimize noise and vibration.

BANDALUX 230Vac



SOMFY® 230Vac



Operating system options

This system can be set in two different operating systems : crank and motor. Motorization is supplied by default with visible motor head. However, you can choose a hidden option

Crank



Motor



VISIBLE MOTOR HEAD
Included by default.

HIDDEN MOTOR HEAD
Optional.

ARION

For indoor and outdoor

This system is the ideal solution to be placed outside thanks to its anti-rust components and stainless steel screws (INOX – AISI 316).

Indoor and Outdoor Fabrics Collection

Bandalux offers a wide assortment of fabrics for both indoors and outdoors, featuring openness factor options, colors, textures, long lasting and maintaining all its properties on outdoor installations.

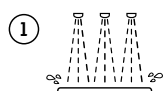


Air purifying shades

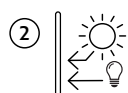
As a result of Bandalux' ongoing technological innovation and its commitment to sustainability, it has launched a new shade able to purify the air in any room.

Application of a nanocoating on the technical fabric

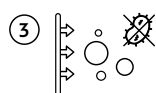
The shade is treated as follows:



A mixture of oxide minerals is applied to the shade's fabric.



This mixture is naturally activated by sunlight or artificial lighting.



When it is activated, any contaminant particles in the air are removed (viruses, bacteria, fungi, contamination, and volatile organic compounds).



More info. **AIRPURE®**



Great versatility

- Applicable to all Roller Shades systems, Box range, Fit Box and Skylight.
- Available in the Polyscreen® 550 and Mega BO fabrics, in a range of colors.

POLYSCREEN® 550 AIRPURE®



Ash Pearl White White Linen White Pearl

MEGA BO AIRPURE®



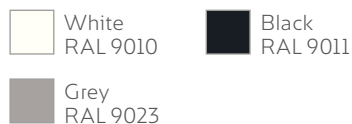
Alabaster Black Dark Grey White

ARION

OPTIONS

Standard configuration

Colors



i If a different color is not selected on the order form, Bandalux will deliver in color white.

Fabric and brackets



ø40mm hidden bottom bar



Optional configuration

Max visible bottom bar



Operating systems

CRANK



Crank height

Up to 1600 mm	1601-2400 mm	2401-3000 mm	3001-3600 mm	3601-4200 mm
---------------	--------------	--------------	--------------	--------------

MOTOR (includes limit switch programming)



Visible motor head

Provided by default

i Incompatible with side guides.



Hidden motor head

Optional order

		MOTOR ⁽¹⁾	AUTOMATISMS			
			SINGLE-CHANNEL REMOTE	MULTI-CHANNEL REMOTE	OTHER	
Hardwired	230Vac	Bandalux	MODENA 50 6/32	---	---	Somfy® Smooove Uno Ref. 06700610B
			BARI 50 20/17			
		Somfy®	ARIANE 50 6/32			
			ATLAS 50 15/32			
			MAESTRIA 50 WT 6/17 ⁽³⁾			
			MAESTRIA 50 WT 10/17 ⁽³⁾			
	Somfy® Quiet	MAESTRIA 50 WT 15/17 ⁽³⁾				
		SONESSE 50 6/28				
		SONESSE 50 10/28				
Somfy® Quiet	SONESSE 50 15/17					
	Bandalux Radio	MODENA RADIO 50 6/32	Elegance 1 White Ref. 06702000B	Elegance 4 White Ref. 06702100B	---	
		BARI RADIO 50 20/17				
Radio	230Vac	Somfy® RTS	ALTUS 50 6/32	Situo 1 RTS Pure Ref. 06700970C	Situo 5 RTS Pure Ref. 06700881C	---
			ALTUS 50 15/17			
	Somfy® RTS Quiet ⁽²⁾	SONESSE 50 RTS 6/28				
		SONESSE 50 RTS 10/28				
		SONESSE 50 RTS 15/17				
Radio IO	230Vac	Somfy®	SUNEA SCREEN 50 6/32	Situo 1 IO Pure Ref. 06700620B	Situo 5 IO Pure Ref. 06700625B	---
			SUNEA SCREEN 50 15/32			

i (1) See motor characteristics on page 6. / (2) Motor only compatible for indoor installation. / (3) Motor with electronic limit switch. / For safety reasons, it is recommended to associate a wind sensor to outdoor installation shades. For sizes bigger than 9m², associating this sensor will be essential.

Side guides



ø10mm stainless rod guide



ⓘ Incompatible with Max bottom bar.

Floor fastening



Wall fastening



ø5mm stainless cable guide



ⓘ Incompatible with Max bottom bar.

Floor fastening



Wall fastening



ø5mm reinforced stainless cable guide



ⓘ This part does not allow to install the shade tight to the wall or columns. Arion roller shades must be ordered 10mm narrower.

Floor fastening



Other options



Double drop with 2 operating systems (double support)



Double drop with 1 operating system (transmission)



Digital Printing



ARION

TECHNICAL DATA

Operating systems and minimum shade width

OPERATING SYSTEM	MOTOR NAME	Voltage (V)	∅ (mm)	Nm	r.p.m.	Power (W)	Current (A)	Min shade width (mm)
CRANK	--	--	--	--	--	--	--	800
BANDALUX HARDWIRED	MODENA 50 6/32	230	50	6	32	120	0,52	810
	BARI 50 20/17	230	50	20	17	160	0,70	860
BANDALUX RADIO	MODENA RADIO 50 6/32	230	50	6	32	120	0,52	860
	BARI RADIO 50 20/17	230	50	20	17	160	0,70	880
SOMFY® CABLE	ARIANE 50 6/32	230	50	6	32	120	0,52	810
	ATLAS 50 15/32	230	50	15	32	240	1,04	900
	MAESTRIA 50 WT 6/17 ⁽²⁾	230	50	6	17	90	0,45	890
	MAESTRIA 50 WT 10/17 ⁽²⁾	230	50	10	17	120	0,50	940
	MAESTRIA 50 WT 15/17 ⁽²⁾	230	50	15	17	140	0,65	940
SOMFY® HARDWIRED QUIET ⁽¹⁾	SONESSE 50 6/28	230	50	6	28	146	0,63	900
	SONESSE 50 10/28	230	50	10	28	180	0,78	900
	SONESSE 50 15/17	230	50	15	17	153	0,67	900
SOMFY® RTS	ALTUS 50 6/32	230	50	6	32	90	0,39	940
	ALTUS 50 15/17	230	50	15	17	140	0,61	940
SOMFY® RTS QUIET ⁽¹⁾	SONESSE 50 RTS 6/28	230	50	6	28	146	0,63	1080
	SONESSE 50 RTS 10/28	230	50	10	28	180	0,78	1080
	SONESSE 50 RTS 15/17	230	50	15	17	153	0,67	1080
SOMFY® IO	SUNEA SCREEN 50 6/32	230	50	6	32	120	0,52	940
	SUNEA SCREEN 50 15/32	230	50	15	32	240	1,04	960

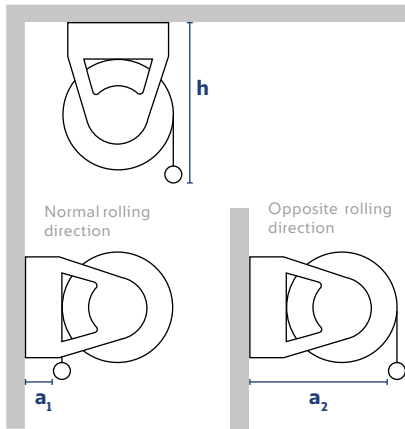
ⓘ To guarantee proper functioning, Bandalux will provide the right motor model for the shade size.
 1. Motor only compatible for indoor installation. / 2. Motor with electronic limit switch.

Space between bracket and fabric (GAP) + Controls height

	without side guides								with side guides				Recommended crank heights hc ⁽²⁾
	w1	w2	w3	w4	w1	w2	w3	w4	w1	w2	w3	w4	
CRANK	44mm	43mm	42mm	62mm	49mm	48mm	70mm	83mm	49mm	48mm	70mm	83mm	1000mm
MOTOR ⁽¹⁾ Bracket with visible motor head	44mm	38mm	42mm	62mm	--	--	--	--	--	--	--	--	1200mm
MOTOR ⁽¹⁾ Bracket with hidden motor head	44mm	54mm	42mm	62mm	49mm	59mm	70mm	83mm	49mm	59mm	70mm	83mm	1400mm
													1600mm
													1800mm
													2000mm
													2200mm
													2400mm
													2600mm
													2800mm
													3000mm

ⓘ (1) Add 3mm on the controls side for Bandalux motor-operated systems.
 (2) The controls height will always be measured from the top part of the shade (top of the bracket) to the bottom of the crank in the operative position.

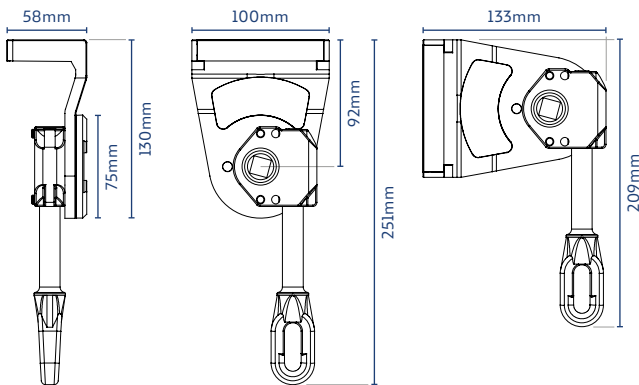
Bottom bars and retraction heights (mm)



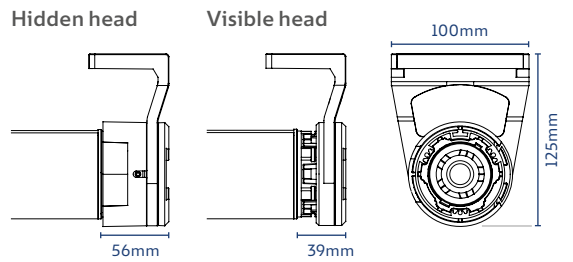
HIDDEN BOTTOM BARS			VISIBLE BOTTOM BARS		
<p>40mm</p> <p>ø40mm</p>			<p>49mm</p> <p>35mm</p> <p>Max</p>		
Ceiling	Wall		Ceiling	Wall	
	Mín	Máx		Mín	Máx
h = 180	a ₁ = 7 a ₂ = 104	a ₁ = 40 a ₂ = 137	h = 188	a ₁ = 9 a ₂ = 106	a ₁ = 42 a ₂ = 139

Bracket sizes and mechanisms

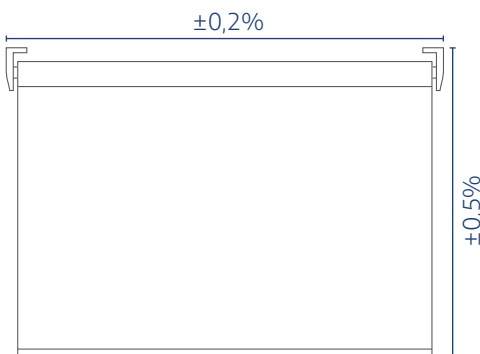
CRANK



MOTOR



Production tolerance



ⓘ Accordig to EN13120 European standard.

BANDALUX